

NEW

For Tablets

Series 2000

Makes the merchandise the hero.



Designed to be as discrete as possible, the new Series 2000 puts all of the customer's focus on the merchandise. A fully modular system, Series 2000 provides the power and security necessary to create dynamic merchandise displays.

Series 2000

The First Modular Security System That Gives Retailers:

- › Unlimited aesthetic display flexibility
- › AP technology for a better customer experience
- › “Gold is good” LED — quick system check indicator for power and security
- › Above counter maintenance
- › Regulated power so all merchandise is always powered
- › Patent pending cable management medallion for ease-of-use
- › Four way perfect placement so displays are always flawless
- › Hidden or exposed cable options from the same components



Hidden Cable



Exposed Cable

Exceptional Customer Interaction

- › No sensor on the front of merchandise
- › AP Sensor with friction fit minimizes false alarms
- › No tangled cords
- › Customizable cable length for every position
- › Enables customer to experience true merchandise weight and feel



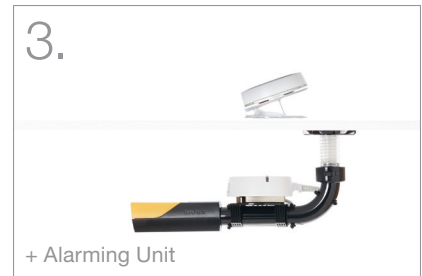
Series 2000

Easily Configured In A Hundred Different Ways To Accommodate Your Display

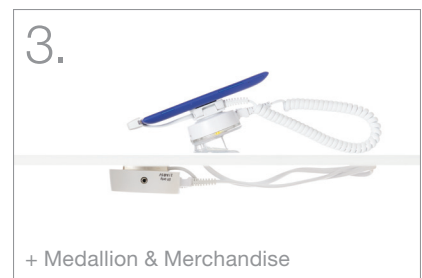
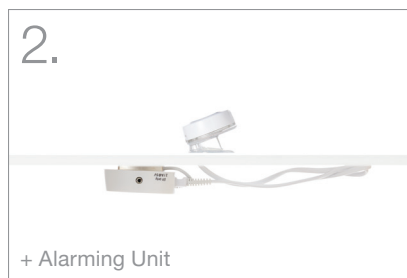
Whether you're designing new fixtures or retrofitting existing, Series 2000 can deliver a fast, simple solution that provides the best available security and merchandise power up capability. You can achieve:

- › Hidden cable or exposed cable options with the same system components
- › An angled or flat merchandise display
- › Table and wall mounting options available
- › Easy cable management with our patented medallion technology
- › Magnetic sensor placement

Hidden Cable Configuration:



Exposed Cable Configuration:

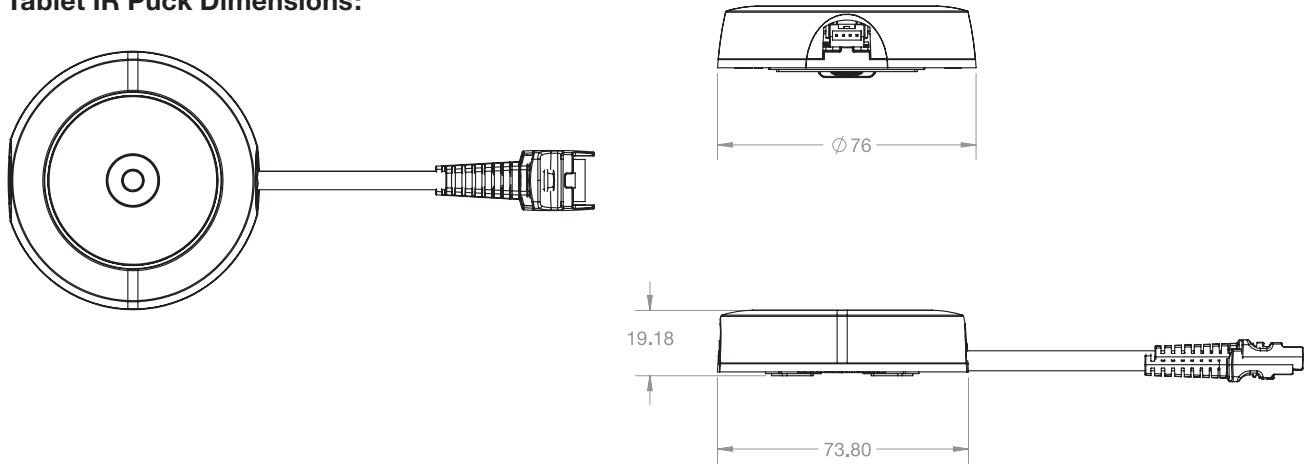


NEW

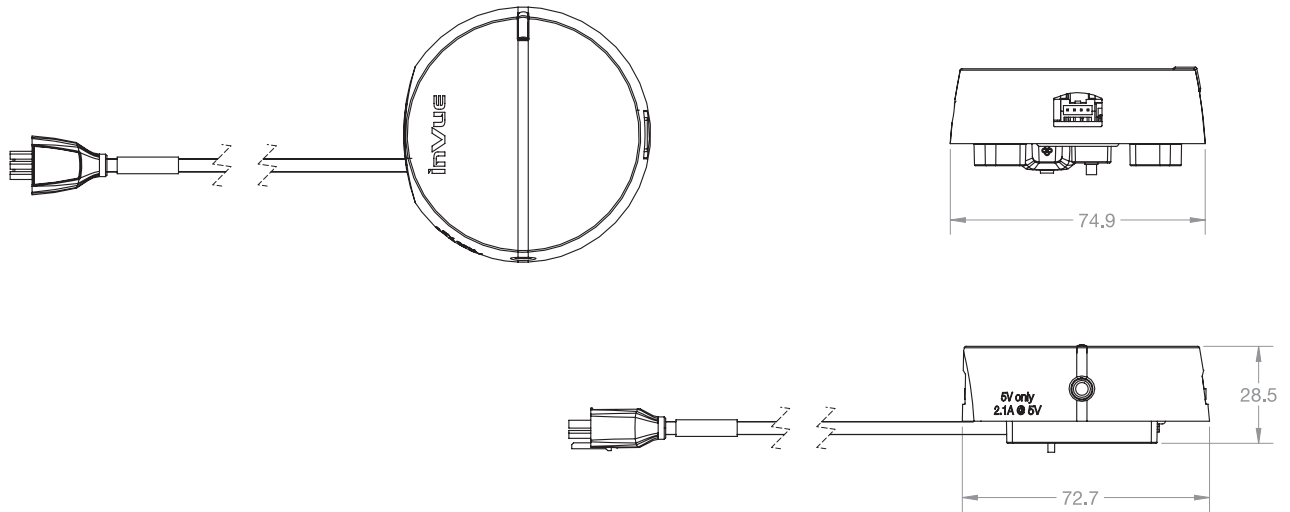
For Tablets

Series 2000

Tablet IR Puck Dimensions:

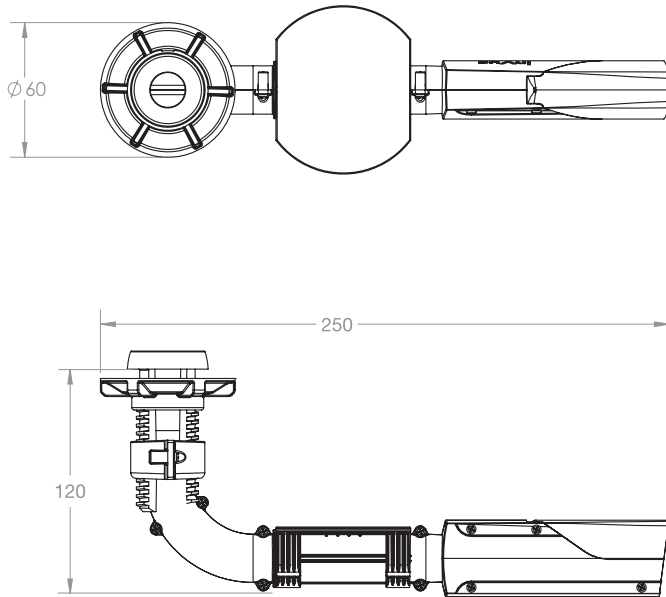


Alarming Unit Dimensions:

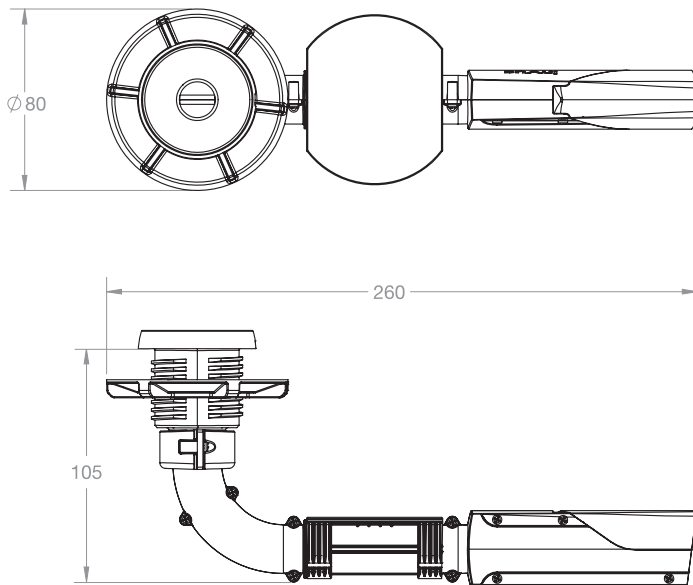


Series 2000

30mm Collection Tube Dimensions:



45mm Collection Tube Dimensions:



NEW

For Tablets

Series 2000

Web Based Configurator: Simple Step-By-Step Selection Tool

Answering just a few questions will determine your Series 2000 component configuration. Check it out:
invuesecurity.com/s2000configurator

©2013 InVue Security Products. No endorsement of InVue products has been made by any of the manufacturers of the products shown. Product is sold pursuant to InVue's warranty which can be found at www.invuesecurity.com/english/warranty.html

NORTH AMERICA OFFICE *North Carolina* 704.752.6513 • 888.55.INVUE

EUROPE OFFICE *The Netherlands* +31.23.8900150

ASIA OFFICE *Hong Kong* +852.3127.6811

LATIN AMERICA OFFICE *Mexico* +52.55.9000.3957

www.invuesecurity.com

inVUE®