

DH-IPC-HFW5100E-VF

1.3Megapixel HD Network IR-Bullet Camera



Features

- 1/3" 1.3Megapixel progressive scan Aptina CMOS
- H.264&MJPEG dual-stream encoding
- 25/30fps@1.3M(1280×960)
- DWDR, Day/Night(ICR), 3DNR, AWB, AGC, BLC
- Multiple network monitoring: Web viewer, CMS(DSS/PSS) & DMSS
- 2.8mm ~12mm varifocal lens
- Max. IR LEDs Length 30m
- IP66, PoE

DH-IPC-HFW5100E-VF

Technical Specifications

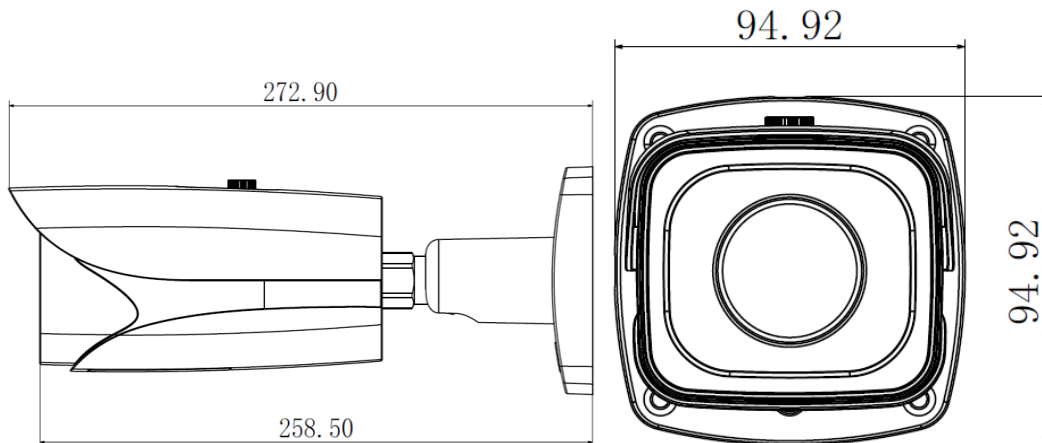
Model	DH-IPC-HFW5100E-VF	
Camera		
Image Sensor	1/3" 1.3Megapixel progressive scan Aptina CMOS	
Effective Pixels	1280(H) x 960(V)	
Scanning System	Progressive	
Electronic Shutter Speed	Auto/Manual, 1/3(4)~1/10000s	
Min. Illumination	0.01Lux/F1.4(Color); 0Lux/F1.4(IR on)	
S/N Ratio	More than 50dB	
Video Output	1 port	
Camera Features		
Max. IR LEDs Length	30m	
Day/Night	Auto(ICR) / Color / B/W	
Backlight Compensation	BLC / HLC / DWDR	
White Balance	Auto/Manual	
Gain Control	Auto/Manual	
Noise Reduction	3D	
Privacy Masking	Up to 4 areas	
Lens		
Focal Length	2.8mm~12mm	
Max Aperture	F1.4	
Focus Control	Manual	
Angle of View	H: 92°~30°	
Lens Type	Manual/ Auto Iris(DC)	
Mount Type	Board-in Type	
Video		
Compression	H.264/MJPEG	
Resolution	1.3M(1280×960)/720P(1280×720)/D1(704×576/704×480)/CIF(352×288/352×240)	
Frame Rate	Main Stream	1.3M/720P(1 ~ 25/30fps)
	Sub Stream	D1/CIF(1 ~ 25/30fps)
Bit Rate	H.264: 32K ~ 8192Kbps	
Audio		
Compression	G.711a/ G.711u/ PCM	
Interface	1/1 channel In/Out	
Network		
Ethernet	RJ-45 (10/100Base-T)	
Wi-Fi	N/A	
Protocol	IPv4/IPv6, HTTP, HTTPS, SSL, TCP/IP, UDP, UPnP, ICMP, IGMP, SNMP, RTSP, RTP, SMTP, NTP, DHCP, DNS, PPPOE, DDNS, FTP, IP Filter, QoS, Bonjour	
ONVIF	ONVIF,PSIA,CGI	
Max. User Access	20users	

DH-IPC-HFW5100E-VF

Smart Phone	iPhone, iPad, Android, Windows Phone
Auxiliary Interface	
Memory Slot	Micro SD, Max 64GB
RS485	N/A
Alarm	2/1 channel In/Out
PIR Sensor Range	N/A
General	
Power Supply	DC12V(AC24V optional), PoE (802.3af)
Power Consumption	<7.5W
Working Environment	-30°C~ +60°C, Less than 95% RH
Ingress Protection	IP66
Vandal Resistance	N/A
Dimensions	272.9 mm × 94.8mm× 94.8mm
Weight	1.25kg

DH-IPC-HFW5100E-VF

Dimensions (mm)



Accessory (optional)



Dahua Technology Co., Ltd.

1199 BinAn Road, Binjiang District, Hangzhou, China

Tel: +86-571-87688883

Fax: +86-571-87688815

Email: overseas@dahuatech.com

www.dahuatech.com

*Design and specifications are subject to change without notice.

© 2014 Dahua Technology Co., Ltd.